

6

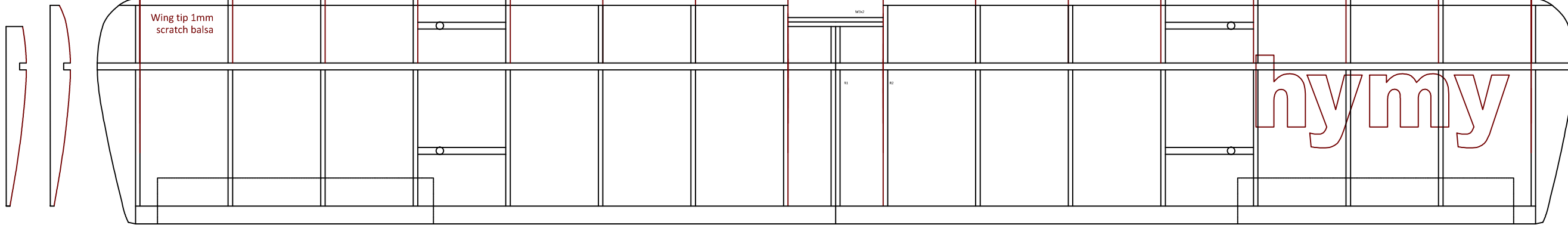
5

4

3

2

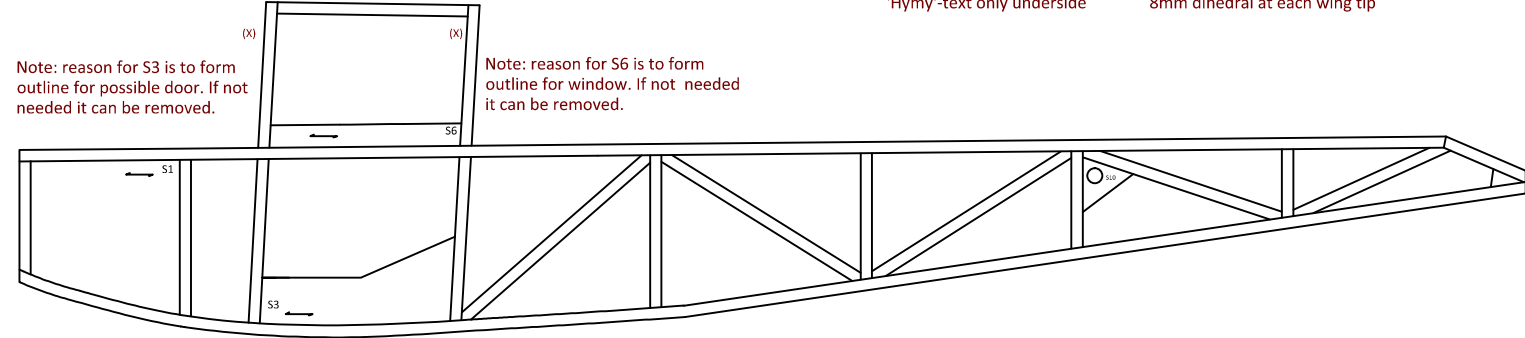
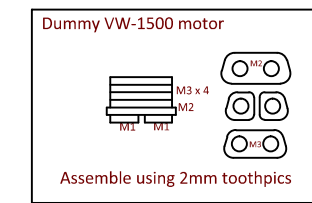
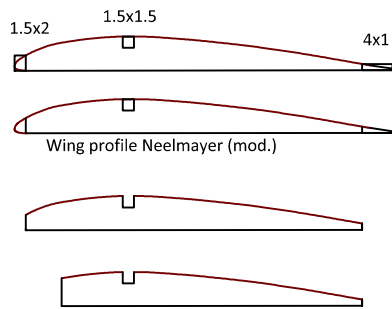
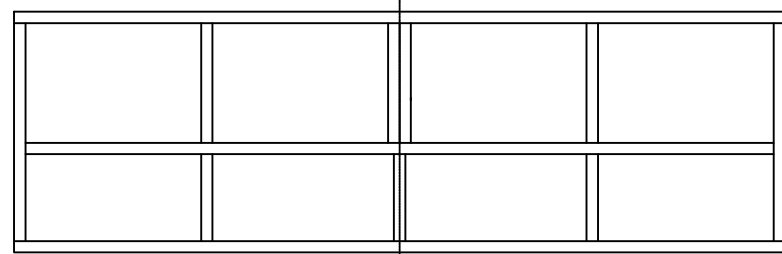
1



8mm dihedral at each wing tip

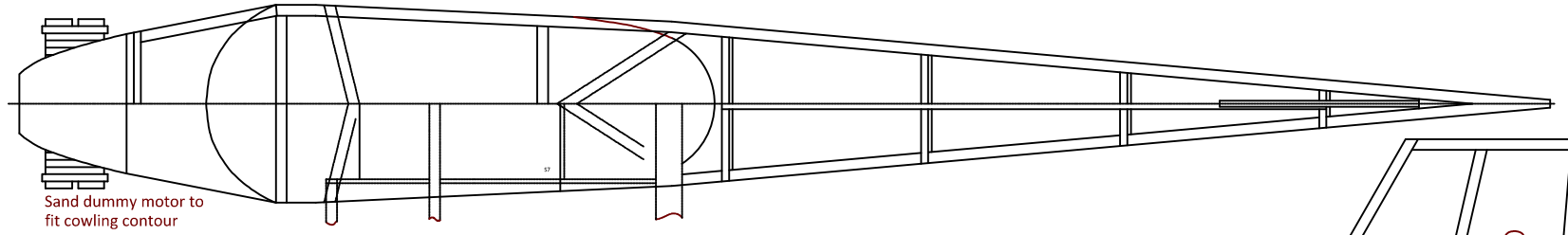
'Hymy'-text only underside

8mm dihedral at each wing tip

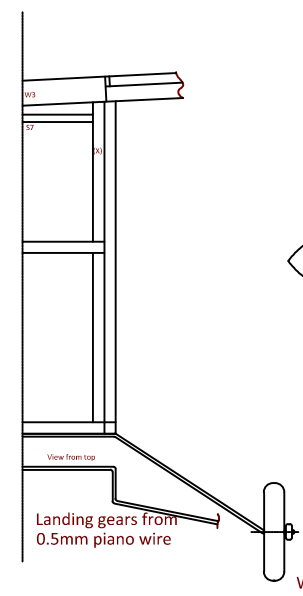
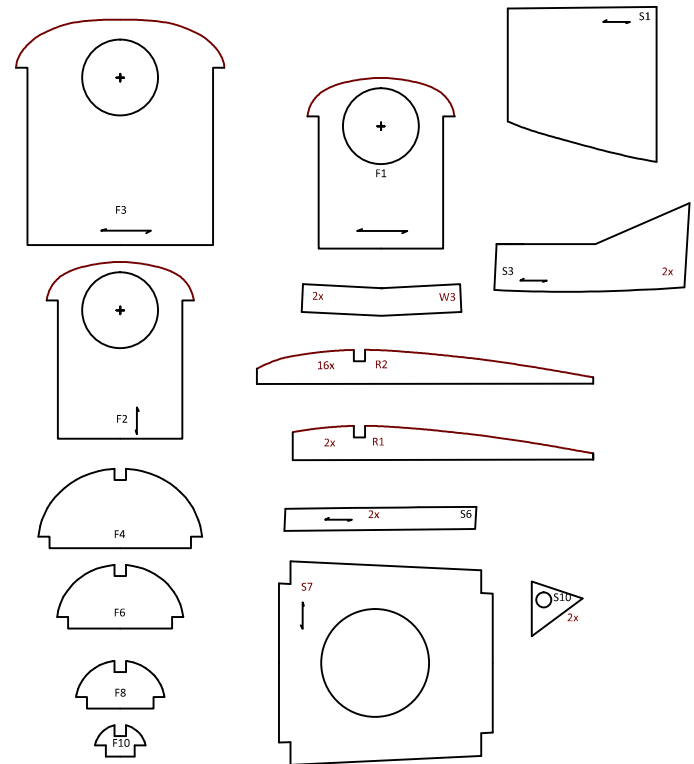


Note: reason for S3 is to form outline for possible door. If not needed it can be removed.

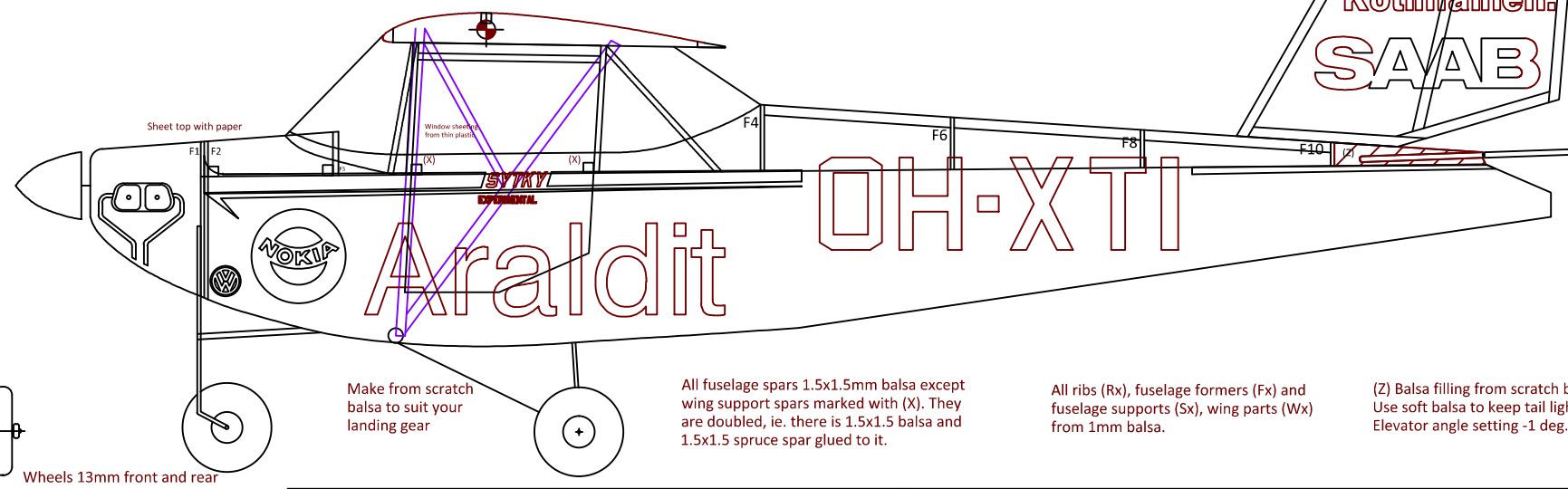
Note: reason for S6 is to form outline for window. If not needed it can be removed.



Sand dummy motor to fit cowling contour



Landing gears from 0.5mm piano wire



Make from scratch balsa to suit your landing gear

All fuselage spars 1.5x1.5mm balsa except wing support spars marked with (X). They are doubled, ie. there is 1.5x1.5 balsa and 1.5x1.5 spruce spar glued to it.

All ribs (Rx), fuselage formers (Fx) and fuselage supports (Sx), wing parts (Wx) from 1mm balsa.

(Z) Balsa filling from scratch balsa. Use soft balsa to keep tail light. Elevator angle setting -1 deg.

Wheels 13mm front and rear

THIS DESIGN IS COPYRIGHT BY IWARU OY.

It has been released only for free, non-commercial use. That means that you can make copies of this plan for your personal use, make as many planes as you want and fly them any way you want. Enjoy!

You are not allowed to start selling copies of this plan or kits based in this design and/or plan. Any commercial use, whatsoever, without Iwaru Oy's express written consent is strictly prohibited. If you want to use this design commercially pls. contact Iwaru Oy. For contact details see www.iwaru.fi, or tuotal@iwaru.fi.

This design has no warranty whatsoever. It has been released as-is, and any plane based on this design/plan is on sole responsibility of builder and the pilot of plane.

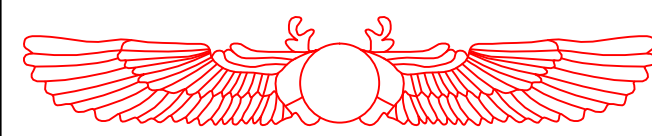
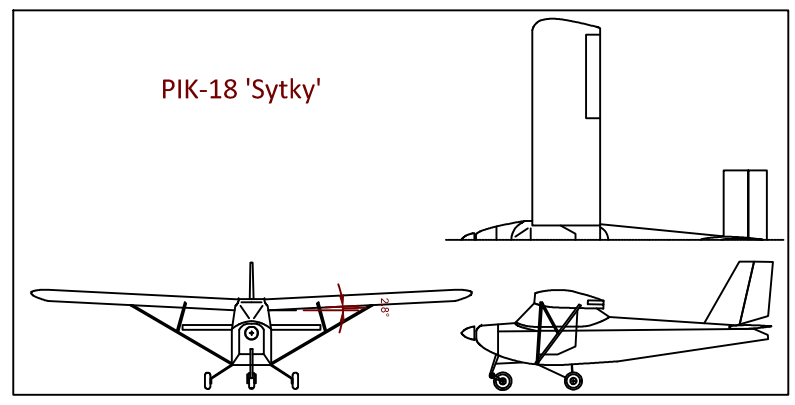
For updates see www.iwaru.fi



Tuomas Otala, Iwaru Oy

PIK-18 Sytky, semiscale peanut

SIZE A3	PROJECT 151-01	(C) Copyright 2013	REV 05
SCALE 1:1	7.4.2013	SHEET 151-01-1	



Iwaru Oy

D

D

C

C

B

B

A

A

6

5

4

3

2

1