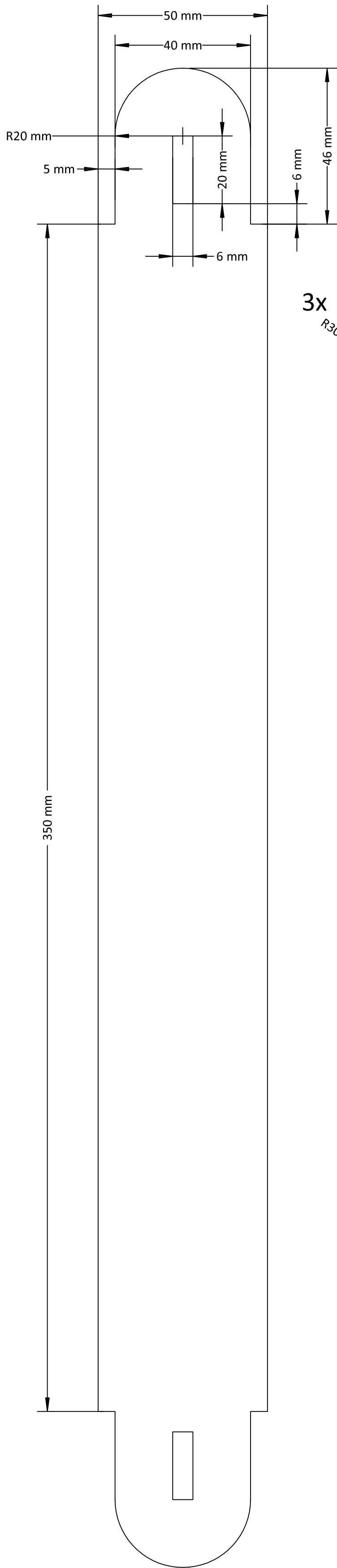
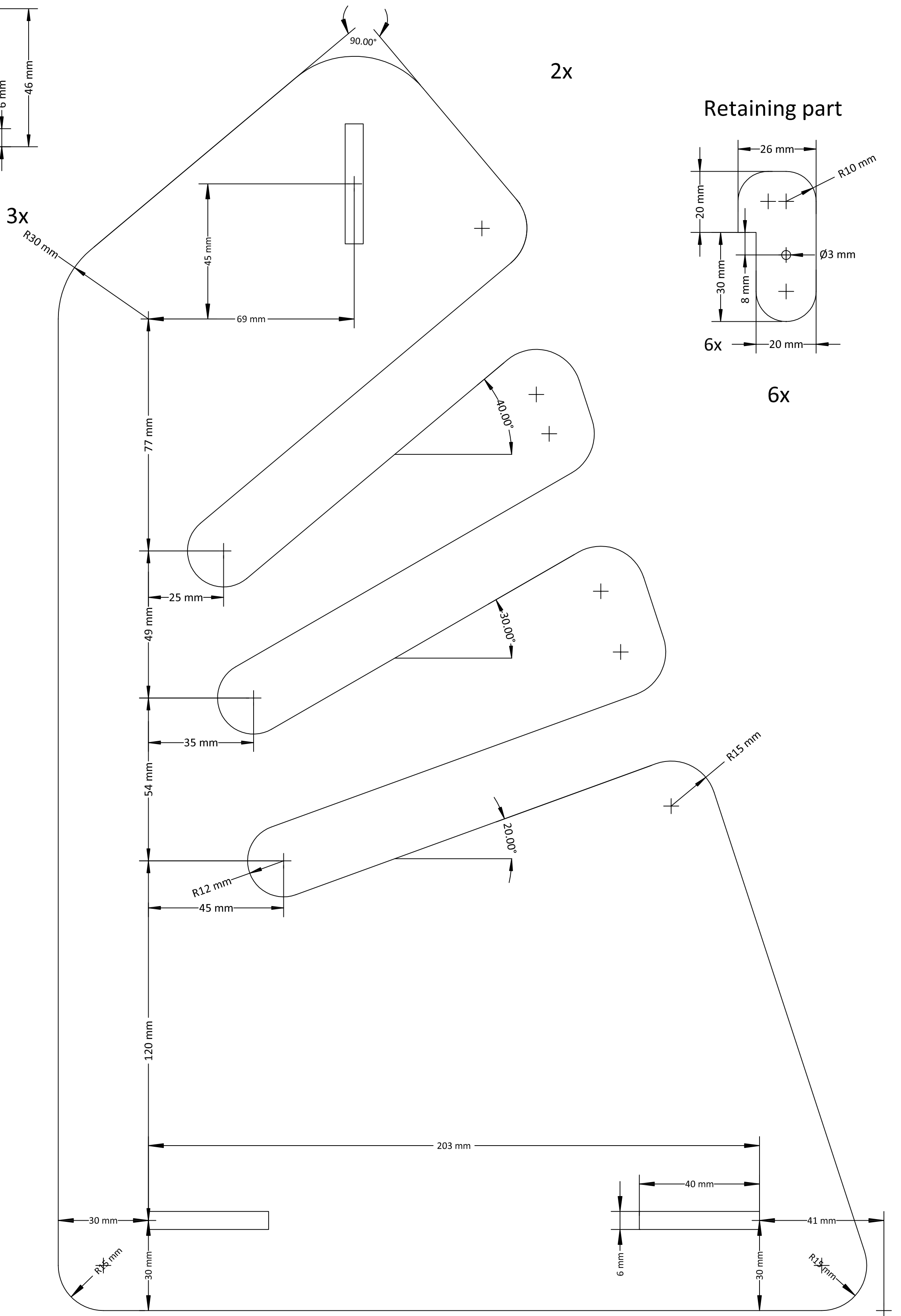


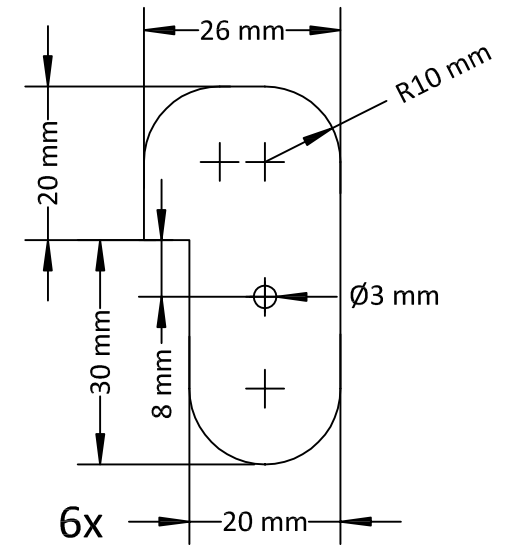
Horizontal support / Handle



Side

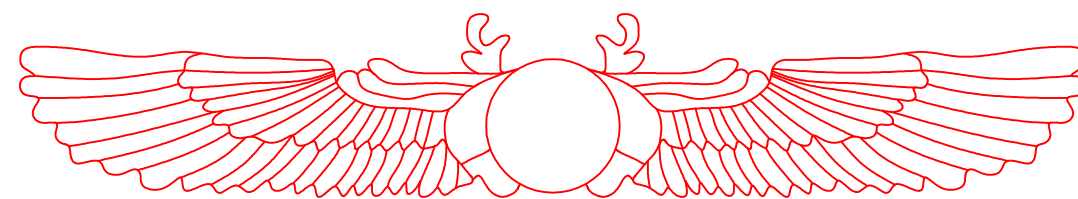


Retaining part



6x

Materiaali 6mm koivuvaneria  
Material 6mm plywood



Iwaru Oy

Tuomas Ojala, Iwaru Oy

TITLE

DLG-koppa / DLG-Caddy

SIZE

PROJECT

A2R

141-01

(C) Copyright 2012

REV

07

SCALE

1:1

15.8.2012

SHEET

141-01-1

THIS DESIGN IS COPYRIGHT BY IWARU OY.

It has been released only for free, non-commercial use. That means that you can make copies of this plan for your personal use, make as many caddies as you want and use them any way you want. Enjoy!

You are not allowed to start selling copies of this plan or kits based in this design and/or plan. Any commercial use, whatsoever, without Iwaru Oy's express written consent is strictly prohibited. If you want to use this design commercially pls. contact Iwaru Oy. For contact details see [www.iwaru.fi](http://www.iwaru.fi), or [tuotala@iwaru.fi](mailto:tuotala@iwaru.fi).

This design has no warranty whatsoever. It has been released as-is, and any caddy based on this design/plan is on sole responsibility of builder and the user of caddy.

For updates see [www.iwaru.fi](http://www.iwaru.fi)

